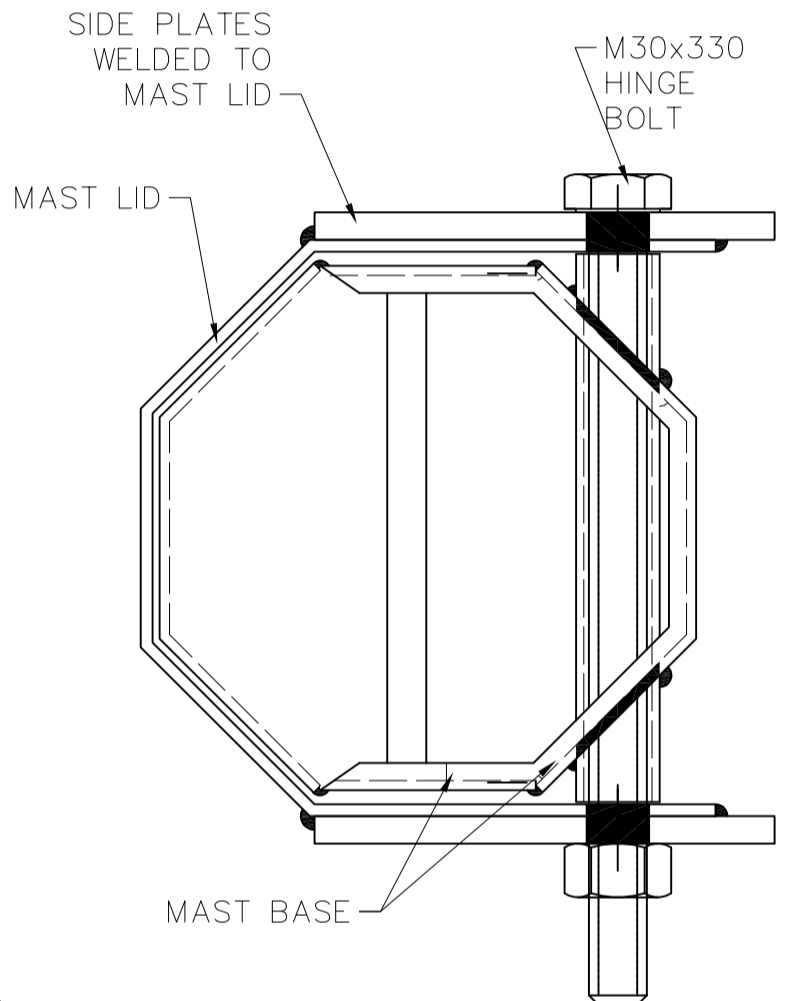
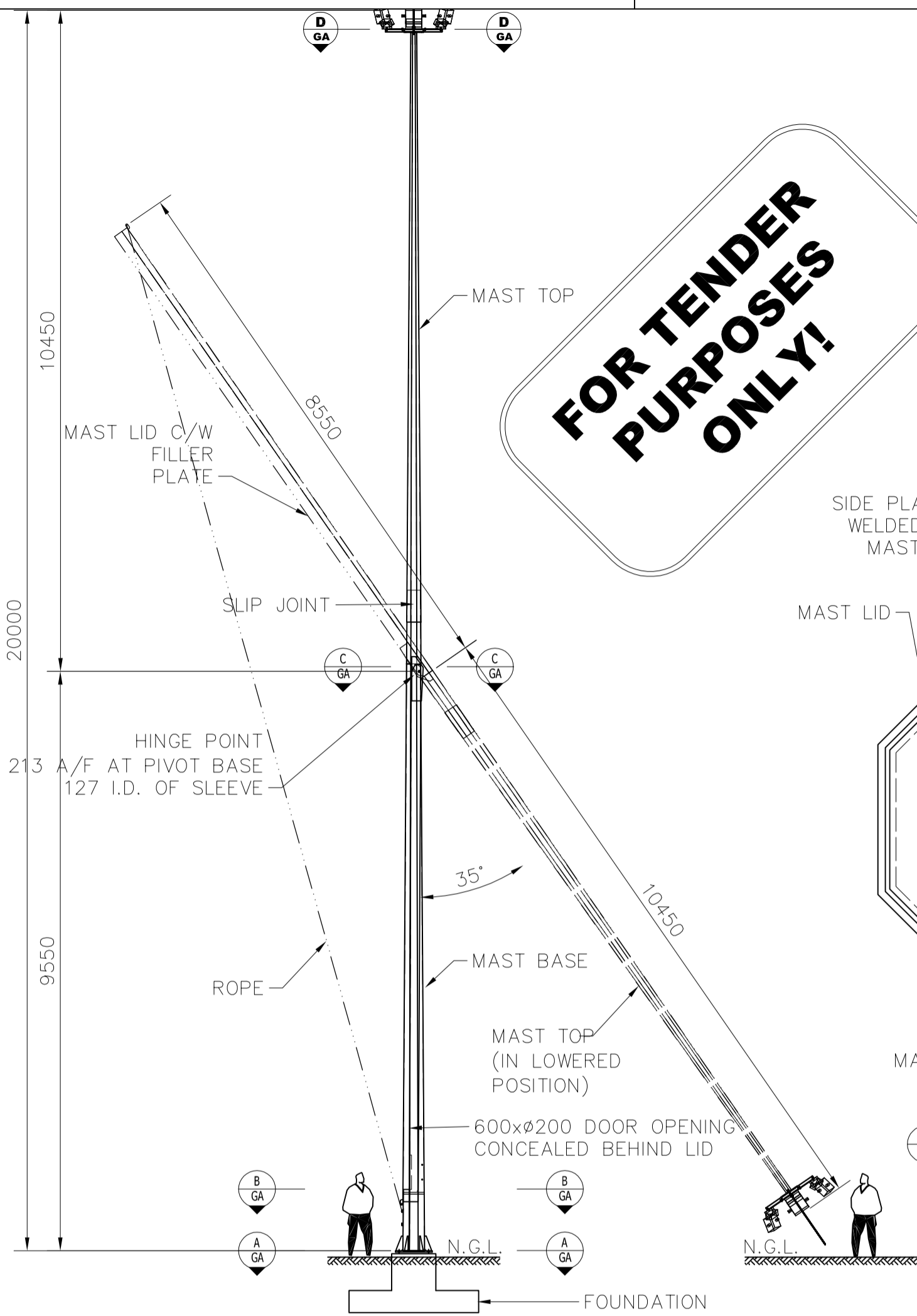
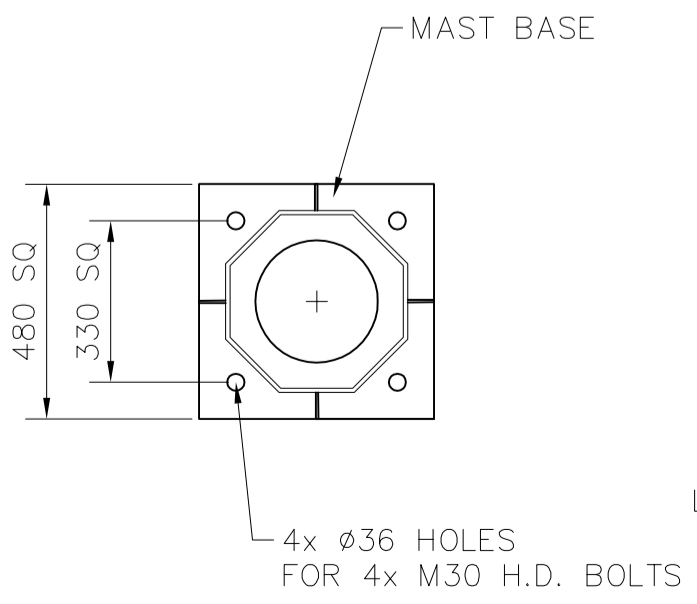


**FOR TENDER PURPOSES ONLY!**

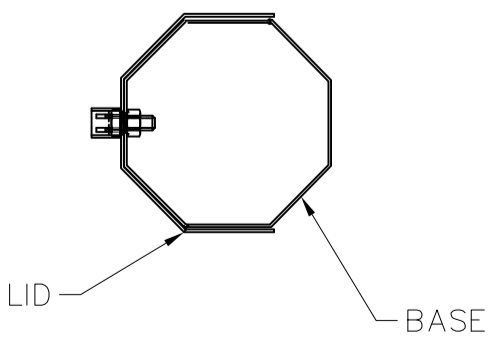


C-GA SECTION (PIVOT DETAIL)

SIDE ELEVATION SHOWING ROTATION OF TOP PART OF THE MAST



A-GA PLAN ON BASE PLATE



B-GA SECTION

REV.	DATE	DESCRIPTION	BY

DRAWN PAULBEDFORD  
 CHECKED  
 APPROVED

PROJECT NUMBER **LCSA** QTY:

PROJECT NAME & DRAWING TITLE  
**20m MID HINGE MAST GA**

**LeBLANC CIH LIGHTING STRUCTURES**  
 18 Johnson Road Pretoriusstad, Nigel 1491  
 P. O. Box 1592, Nigel 1490 South Africa  
 Tel: (011) 814-1404/5/6  
 Fax: (011) 814-1444

Copyright - duplication, recording, disclosure and use is prohibited. This drawing or design is not sold but lent. It remains the property of this company and is subject to recall. It's contents must not be communicated to any person whatsoever without the written consent of LeBLANC CIH Lighting Structures (Pty) Ltd.

DATE: 2009/10/14 SCALE: N.T.S.

DRAWING No.: **LCSA-20mMH-GA-01**